

Syndromal XLID Genes

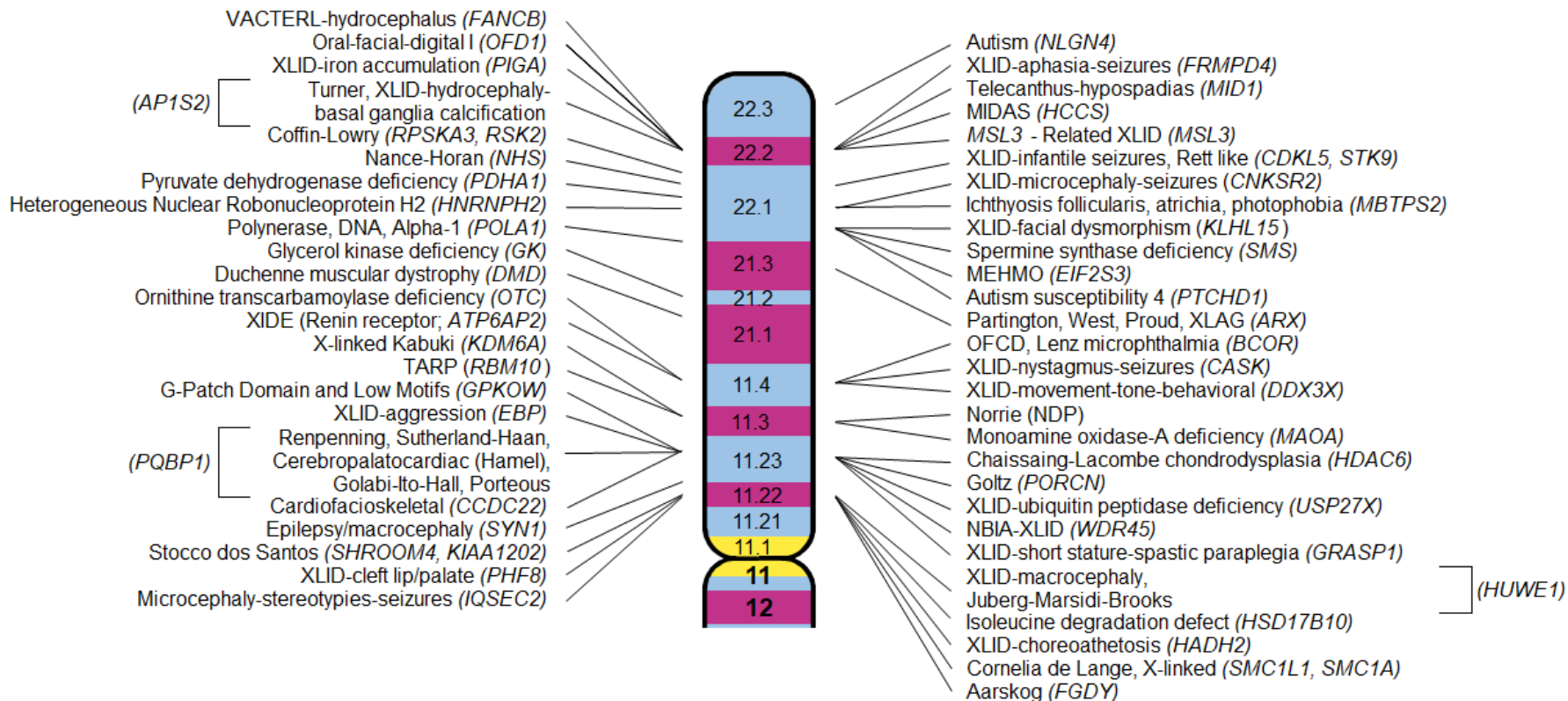
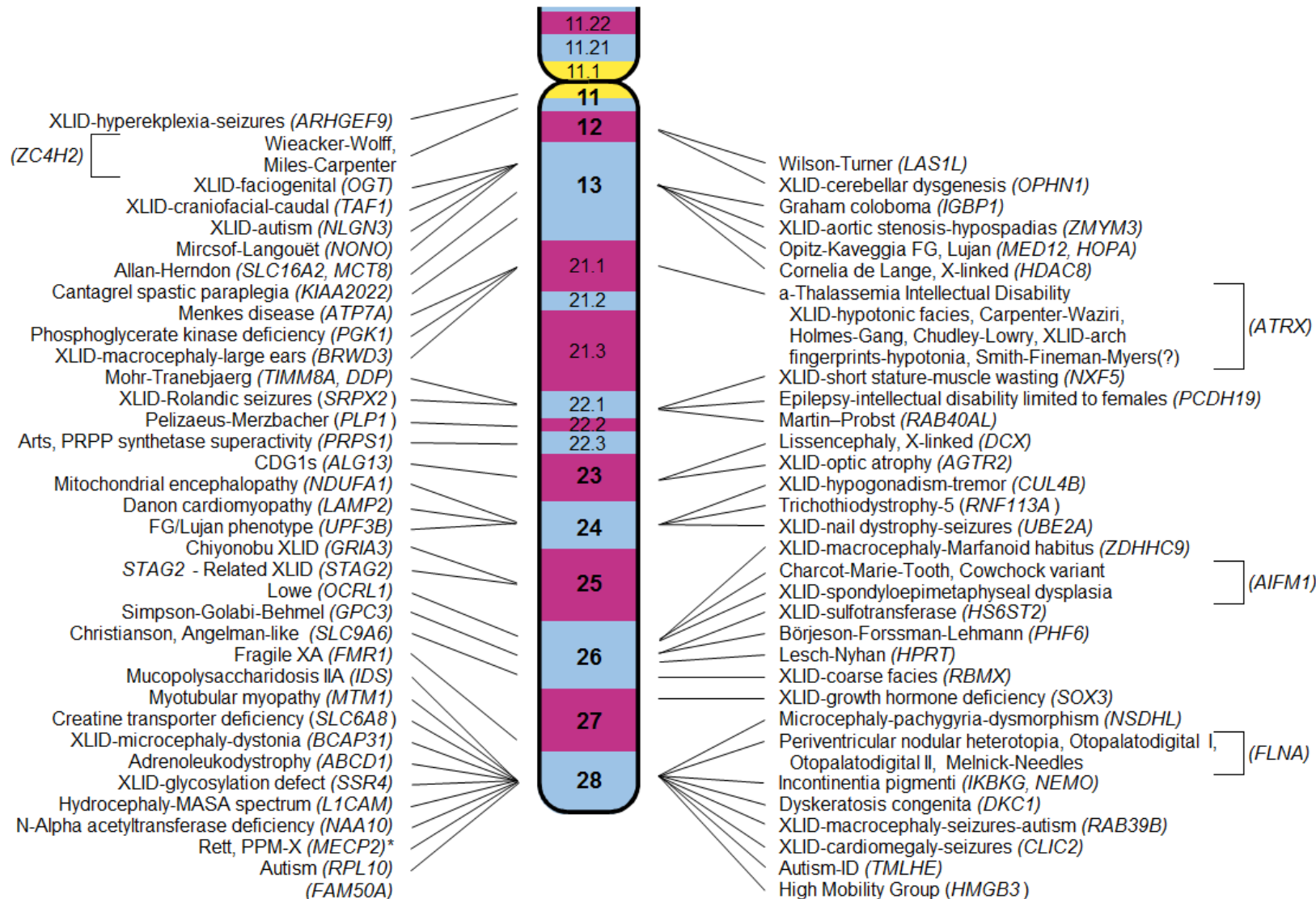


Figure 1A - Greenwood Genetic Center, updated May 2019

Syndromal XLID Genes



*XLID-hypotonia-recurrent infections (*MECP2* dup)

**Syndromal XLID
(linkage limits)**

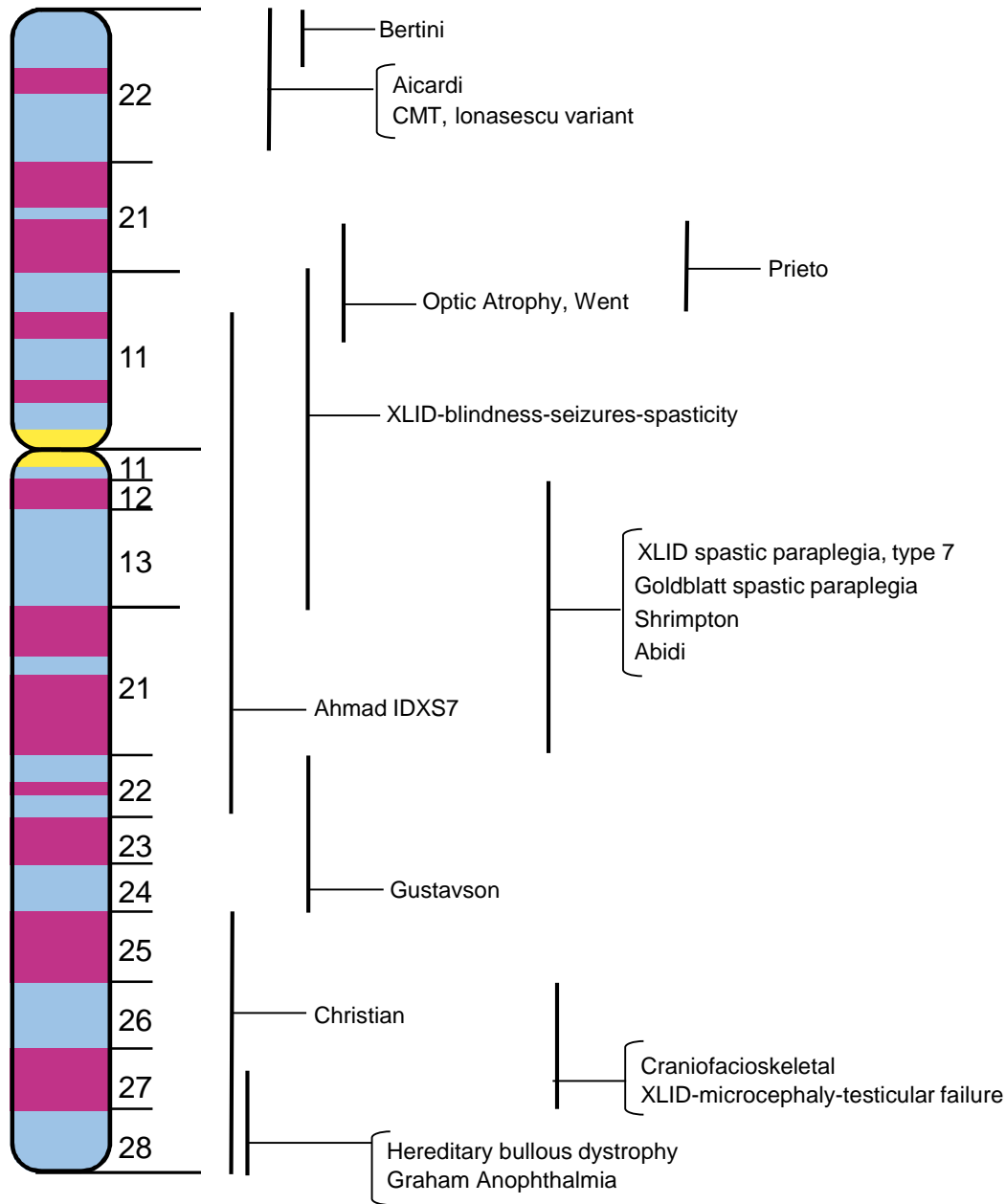


Figure 2 - Greenwood Genetic Center, updated May 2019

Nonsyndromal XLID (IDX)

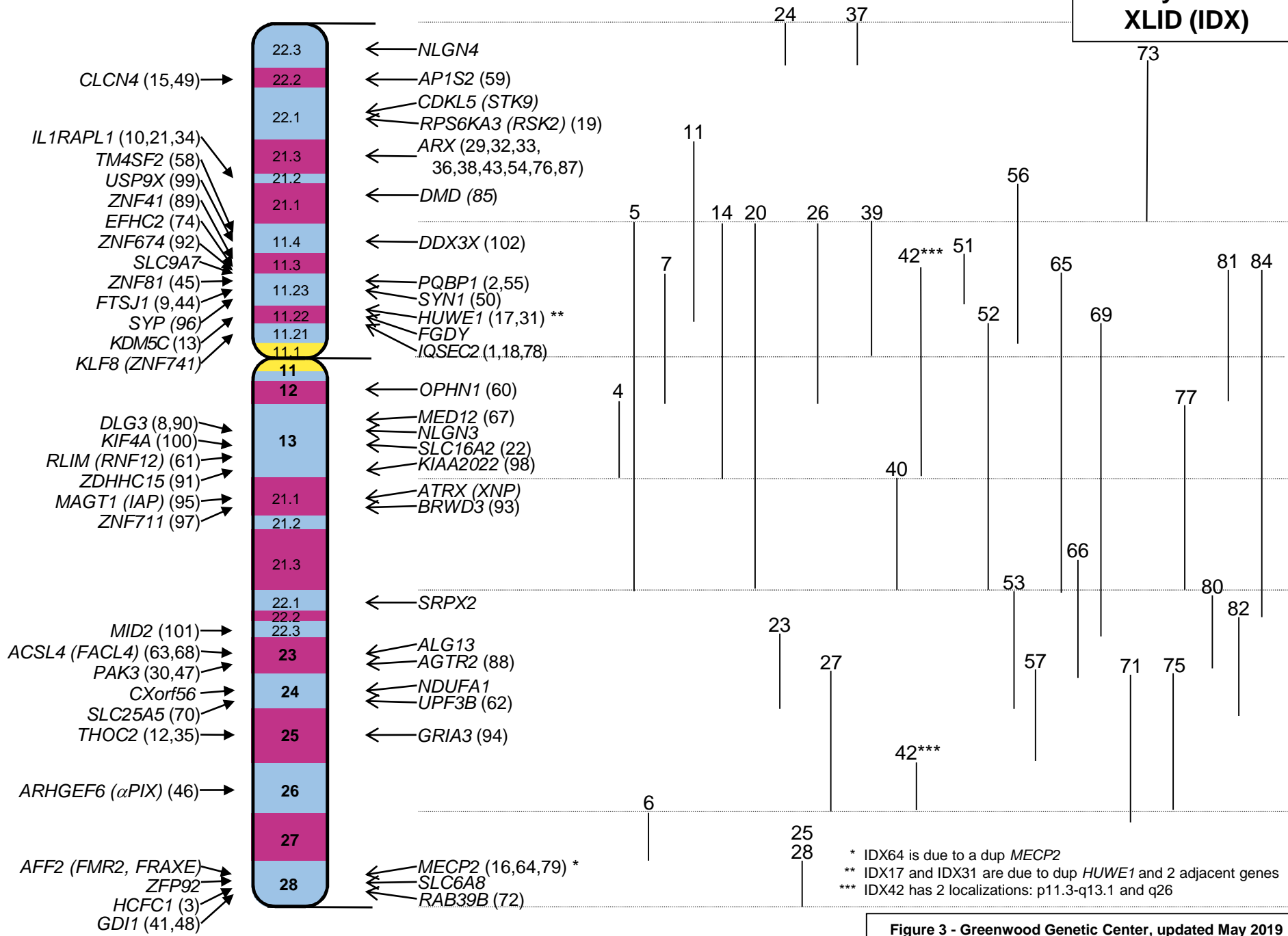


Figure 3 - Greenwood Genetic Center, updated May 2019