

# Syndromal XLID Genes

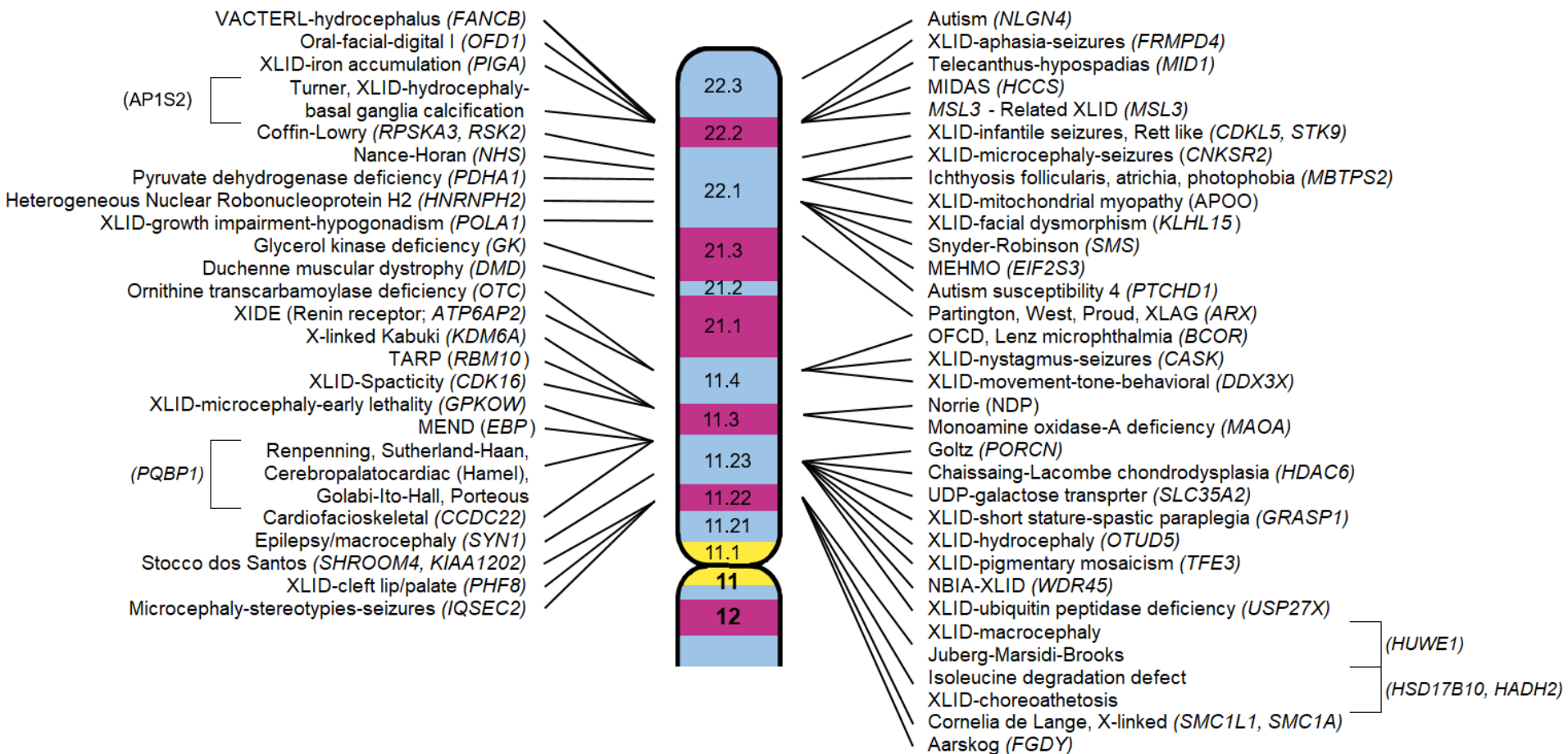


Figure 1A - Greenwood Genetic Center, updated Oct 2021

# Syndromal XLID Genes

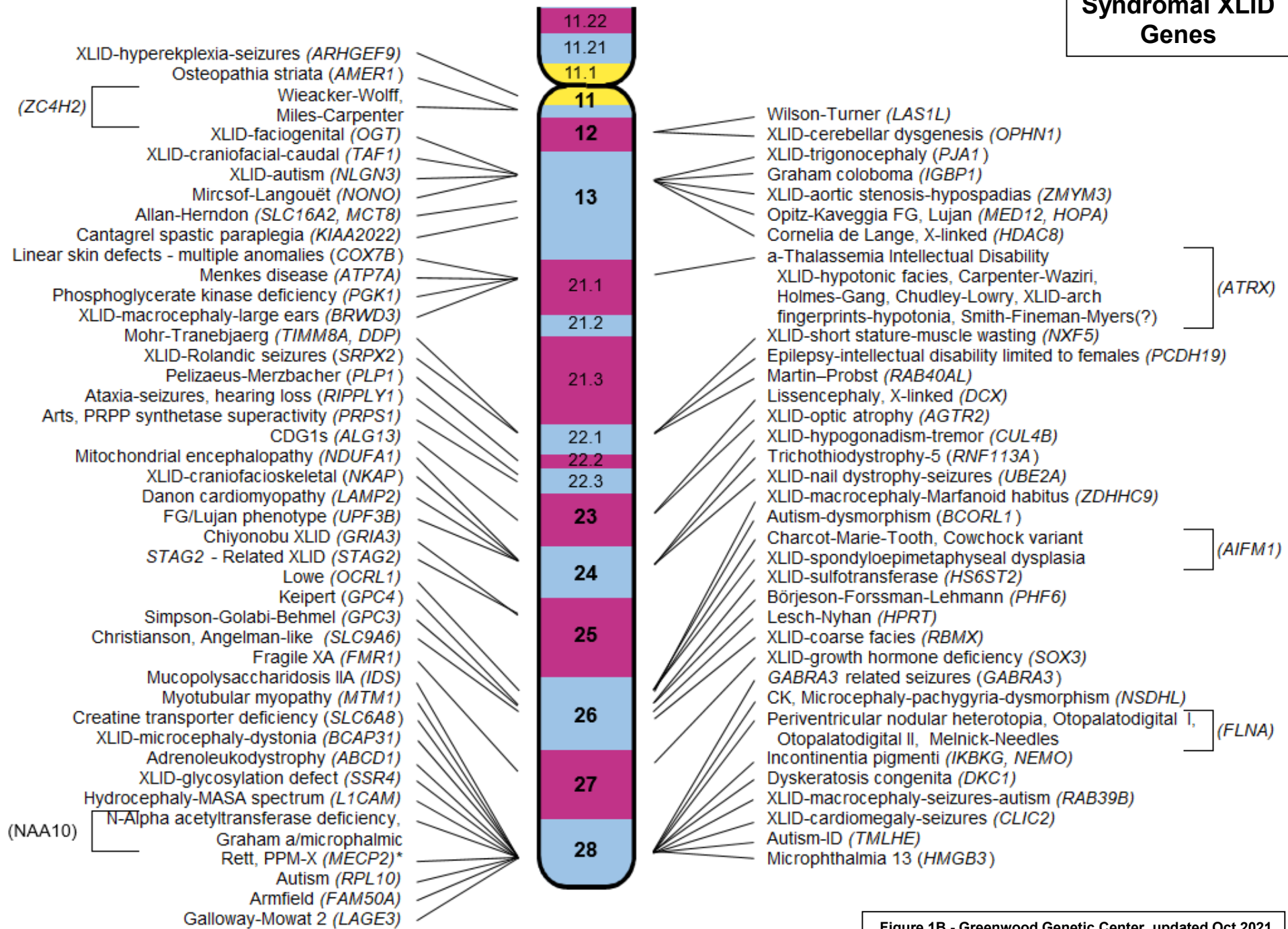


Figure 1B - Greenwood Genetic Center, updated Oct 2021

**Syndromal and nonsyndromal XLID Genes**  
(Figures 1A, 1B and 3 combined)  
**Bold = syndromal**

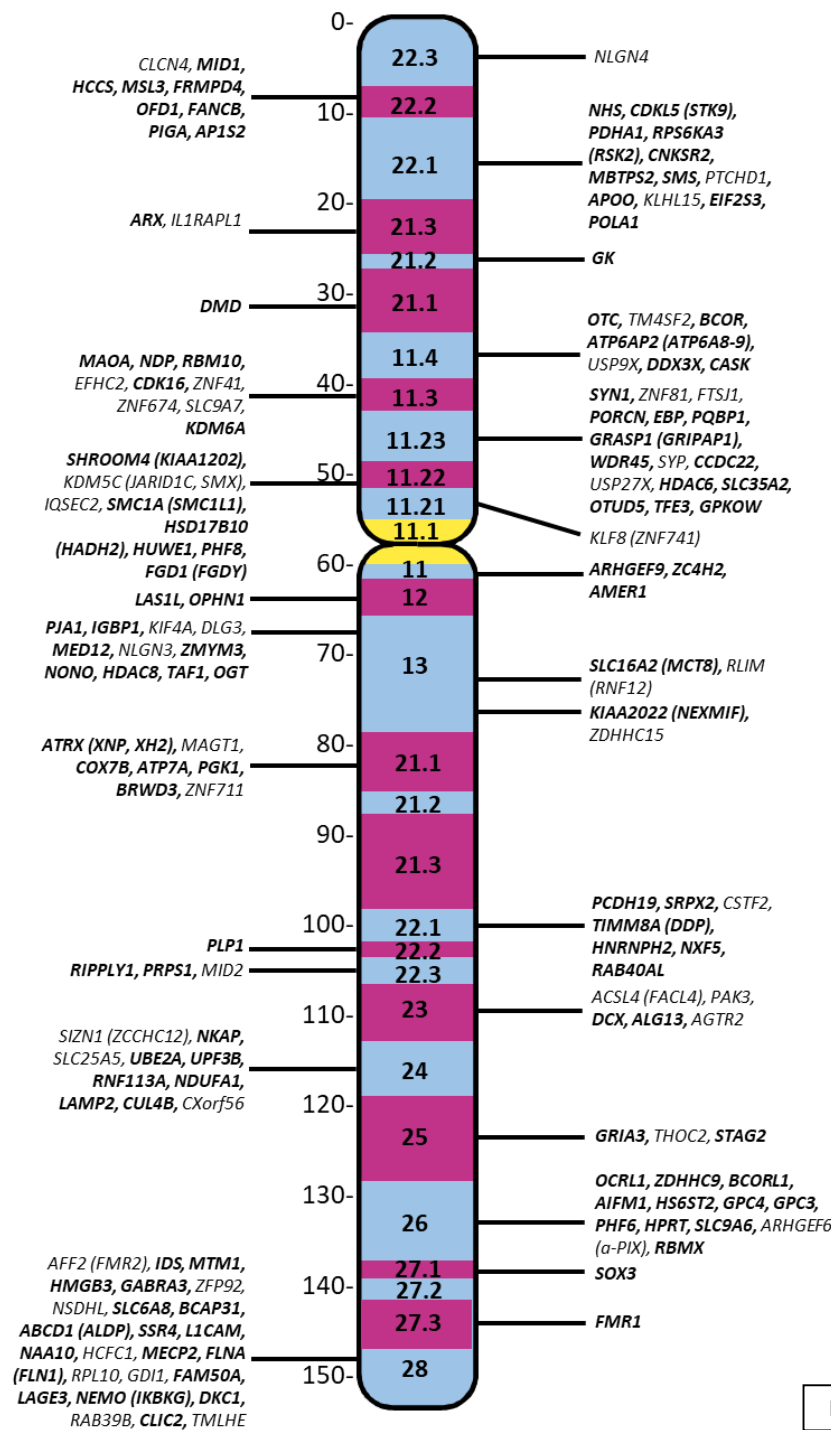
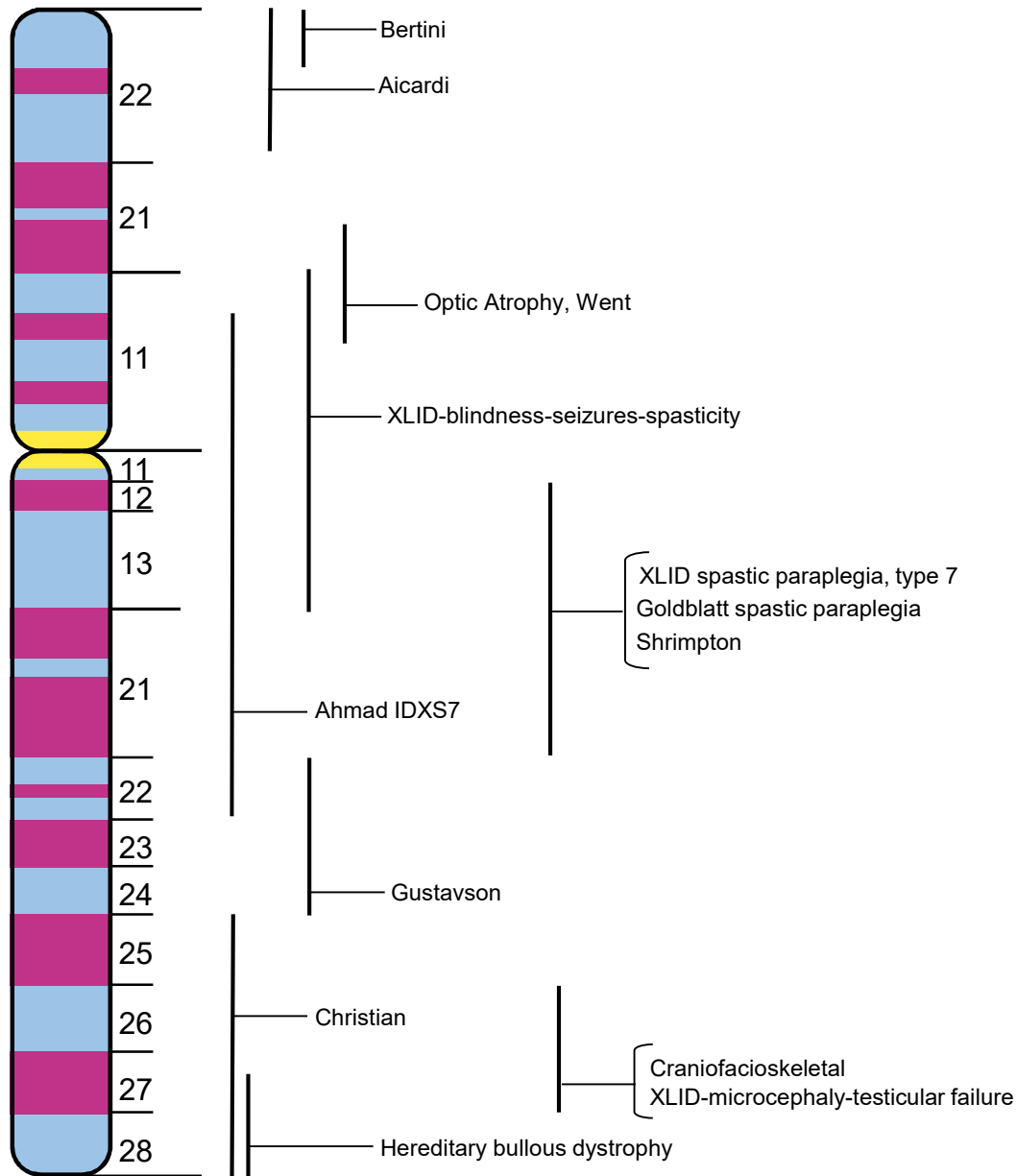


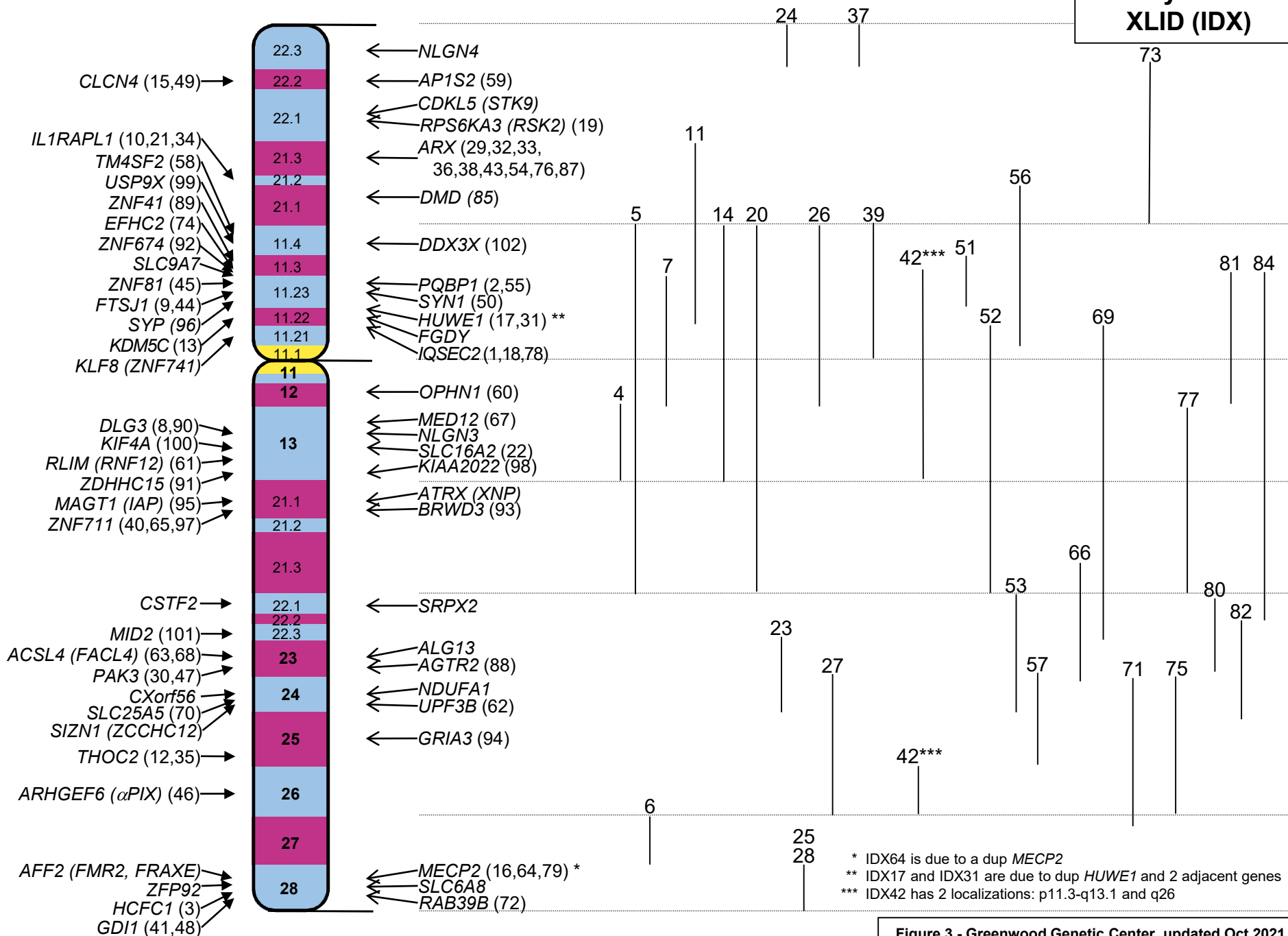
Figure 1C - Greenwood Genetic Center, updated Oct 2021

**Syndromal XLID  
(linkage limits)**



**Figure 2 - Greenwood Genetic Center, updated Oct 2021**

# Nonsyndromal XLID (IDX)



\* IDX64 is due to a dup *MECP2*  
 \*\* IDX17 and IDX31 are due to dup *HUWE1* and 2 adjacent genes  
 \*\*\* IDX42 has 2 localizations: p11.3-q13.1 and q26

Figure 3 - Greenwood Genetic Center, updated Oct 2021